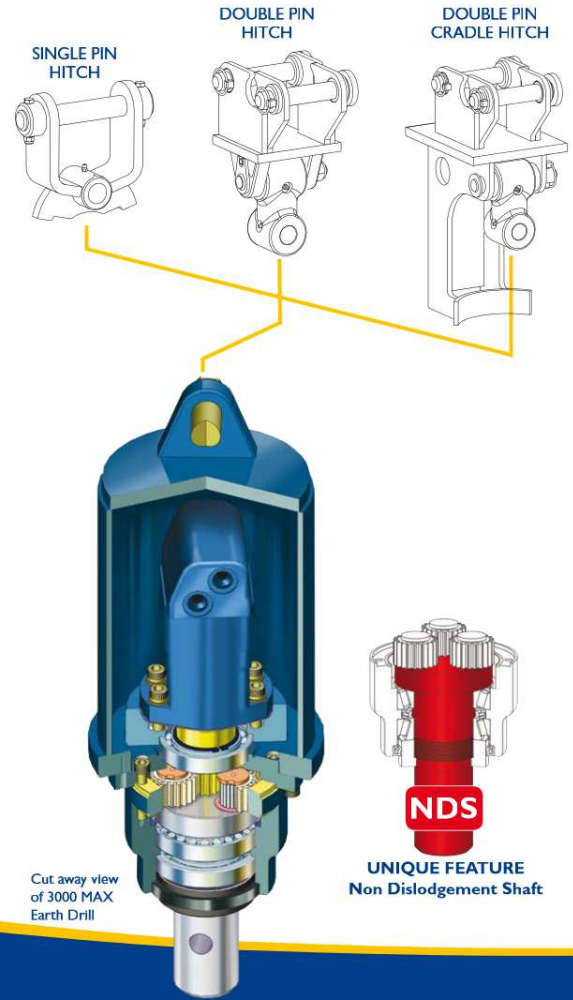


Mini Excavators T to 5T

Earth Drill Models	X2,000	X2,500	3,000 MAX	3,500 MAX	4,500 MAX
Part Number	21-20100	21-20200	21-33200	21-33300	21-33500
Excavator Machine Weight	1T to 2.5T	1.5 to 3T	2T to 4.5T	2.5T to 4.5T	3T to 5T
Torque	1,886 Nm	2,452 Nm	2,900 Nm	3,643 Nm	4,535 Nm
Pressure	205 Bar	205 Bar	240 Bar	240 Bar	240 Bar
Oil Flow Range	25 to 57 l/m	27 to 65 l/m	27 to 75 l/m	40 to 75 l/m	50 to 95 l/m
Hydraulic Hoses	1/2" BSP	1/2" BSP	1/2" BSP	1/2" BSP	1/2" BSP
Output Shaft (STD)	65mm Rnd	65mm Rnd	65mm Rnd	65mm Rnd	65mm Rnd
Output Shaft (Optional)	2" Hex	2" Hex	2" Hex	2" Hex	2" Hex
Unit Weight	54kg	54kg	71kg	71kg	71kg
Unit Height	595mm	595mm	700mm	700mm	700mm
Unit Diameter	200mm	200mm	238mm	238mm	238mm
Auger Series	S4	S4	S4	S4	S4
Length	1.2M	1.2M	1.2M	1.2M	1.2M
Auger Diameter Range	100-400mm	100-500mm	100-600mm	100-750mm	100-900mm



Mini Excavator | T to 2.5T
Drilling Diameter
 | 00 to 400mm

X2,000
Earth Drill

Mini Excavator | .5T to 3T
Drilling Diameter
 | 00 to 500mm

X2,500
Earth Drill

Mini Excavator 2T to 4.5T
Drilling Diameter
 | 00 to 600mm

3,000 MAX
Earth Drill

Mini Excavator 2.5T to 4.5T
Drilling Diameter
 | 00 to 750mm

3,500 MAX
Earth Drill

Mini Excavator 3T to 5T
Drilling Diameter
 | 00 to 900mm

4,500 MAX
Earth Drill



Mounting Hitch Options

Pin Size	Single Pin Part Number	Double Pin Part Number	Double Pin Cradle Part Number
25mm	-302500	2-302500	3-302500
30mm	-303000	2-303000	3-303000
32mm	-303200	2-303200	3-303200
35mm	-303500	2-303500	3-303500
38mm	-303800	2-303800	3-303800
40mm	-304000	2-304000	3-304000

S4 Extension Shafts - 65mm Round Drive

Length	500mm	800mm	M
Part Number	3 -4050200	3 -4080200	3 -4 00200

S4 Earth Tooth
 Part No 33-9 0

S4 Earth Pilot
 Part No 33-9203

S4 Pilot Extension
 Part No 33-4 06

S4 Tungsten Tooth
 Part No 33-9 04

S4 Tungsten Pilot
 Part No 33-9204

S4 Extra Dig Pilot
 Part No 33-92 2



S4 Auger Range - 65mm Round Drive (Length | .2M) for X2,000 - X2,500 - 2,500 - 3,000 MAX - 3,500 MAX - 4,500 MAX Earth Drills

Earth and Clay Drilling (Complete with Earth Teeth and Earth Pilot)

Diameter	00mm	50mm	200mm	225mm	250mm	300mm	350mm	400mm	450mm	500mm	600mm	750mm	900mm
Part Number	30-40 0 200	30-40 5 200	30-4020 200	30-4023 200	30-4025 200	30-4030 200	30-4035 200	30-4040 200	30-4045 200	30-4050 200	30-4060 200	30-4075 200	30-4090 200

Abrasive Drilling (Complete with Tungsten Teeth and Tungsten Pilot)

Diameter	00m	50mm	200mm	225mm	250mm	300mm	350mm	400mm	450mm	500mm	600mm	750mm	900mm
Part Number	30-40 05200	30-40 55200	30-40205200	30-40235200	30-40255200	30-40305200	30-40355200	30-40405200	30-40455200	30-40505200	30-40605200	30-40755200	30-40905200

Hard/Abrasive Drilling (Complete with Tungsten Teeth and Extra Dig Pilot)

Diameter	00m	50mm	200mm	225mm	250mm	300mm	350mm	400mm	450mm	500mm	600mm	750mm	900mm
Part Number	30-40 06200	30-40 56200	30-40206200	30-40236200	30-40256200	30-40306200	30-40356200	30-40406200	30-40456200	30-40506200	30-40606200	30-40756200	30-40906200