



YANMAR

MINI-EXCAVATOR

Vi026-6



Operating weight (canopy / cabin)

2560 / 2665 kg

Engine

3TNV76-NBVA1

Digging force (arm)

14.5 kN / 12.7 kN (long arm)

Digging force (bucket)

24.5 kN

A simple and effective tool for daily site operations



COMPACTNESS

Inventor of the ViO concept, Yanmar has unequalled experience in developing Zero Tail Swing mini-excavators. The Vi026-6 is a true Zero Tail Swing mini-excavator machine that allows safe rotation of the upper frame.



EASE OF TRANSPORT

Its transport weight of just 2590 kg (cabin version) enables the Vi026-6 to be transported with its accessories on a trailer.



YANMAR ENGINE

Latest version of Yanmar TNV engines: 3-cylinder electronic control and direct injection engine built for best performance, reduced fuel consumption and lower emissions.



QUALITY OF COMPONENTS

Components selected for their excellent quality and reliability. Design and performance of the components offer long service life to the Vi026-6.



"FLOW SHARING" HYDRAULIC SYSTEM

Made up of a variable-flow piston pump and a load signalling and flow sharing distributor, it performs the movement combinations required by the operator.





ACCESSIBILITY

5 covers or openings that allow easy access to the components for maintenance. For fast and practical inspections or daily maintenance



CABIN

New driving station: more leg space, "Universal Design", new instrumentation, better ergonomics and significant noise reduction.



SIMPLICITY OF USE

Due to their ideal placement, the control levers allow movements to be performed with exceptional precision. An auto-deceleration function is available as an option.



HIGH PERFORMANCE

Improved components of the power line: (engine, hydraulic pump, distributor) hence no compromise between power and compactness.



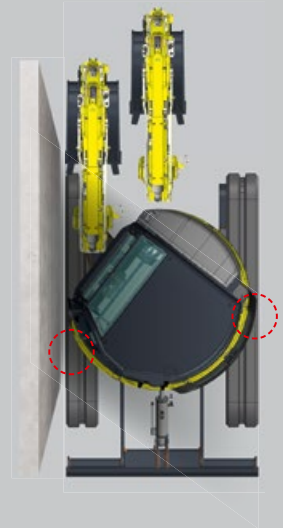
UNEQUALLED COMPACTNESS

ViO26-6 allows the Yanmar operators to work with peace of mind, especially in urban environments where the space is very restricted.

ADVANTAGE OF THE VIO CONCEPT

Neither the counterweight nor the front part of the frame exceeds the width of the crawlers. Since its front part is designed not to exceed, the ViO26-6 has a very small radius of rotation.

- + Greater safety both for the operator and the workers in the nearby environment: primordial on sites.
- + Dead angle reduced to the minimum: optimal visibility all around the machine.



EASE OF TRANSPORT

Its transport weight of just 2590 kg and high very compact lower frame allow the ViO26 to be easily transported with its accessories on a truck as also on a trailer whose allowed total transportation weight should not exceed 3.5t.



COMFORT



SPACIOUS AND COMFORTABLE CABIN

All design-related decisions have been taken by Yanmar, keeping the operator at the centre of its focus. Yanmar has developed the “Universal Design” concept to improve your comfort and productivity. By offering more legroom, this design improves operator comfort and safety. The controls and joysticks are placed ergonomically so that they are easily accessible.



Spacious 385 mm legroom



360° VISIBILITY

The design of the Vi026-6 offers the operator an ergonomic environment, excellent visibility and exceptional safety. The cabin shape offers the operator an optimum 360° visibility to enhance on-site safety and improve efficiency.

The Vi026-6 is equipped with two rear-view mirrors that allow the operator to control the working area without moving from his seat.



COMFORTABLE SEAT

The Vi026-6 is equipped as standard with a comfortable and ergonomic suspension seat with adjustable controls

PERFORMANCE



IMPROVED POWER LINE

NEW GENERATION ELECTRONICALLY CONTROLLED YANMAR MOTOR

With an output of 15.8 kW at 2500 rpm, Yanmar's 3TNV76-NBVA1 engine is the result of our continuous efforts to achieve technological advances in fuel consumption and emissions. An improved fuel injection system reduces emissions and noise.

- + An auto-deceleration system, which lowers the engine speed to idle when the machine has not been used for more than 4 seconds, and then automatically re-accelerates as soon as necessary, further reduces fuel consumption.

LOAD SENSING — FLOW SHARING

HYDRAULIC SYSTEM

The Vi026-6 is equipped with a "Flow Sharing" hydraulic system comprising a variable-flow piston pump (with maximum flow rate of 75 l/min) and a load signalling and flow sharing distributor.

Each section of the distributor has a pressure balance that delivers flow proportional to the operator's demand and the available instantaneous flow: when several movements together require the instantaneous flow in excess of what is available, each movement is reduced in the same ratio. The requested movement combination is thus ensured.

3RD CIRCUIT ATTACHED IN SERIES

An auxiliary line with on/off control allows a large number of accessories to be used, such as a breaker or an auger. Options such as proportional control of the 3rd circuit and installation of a potentiometer are available for greater usage flexibility and increased versatility of the machine.

NO COMPROMISE ON PERFORMANCE

EXCELLENT EXCAVATION FORCES

The Vi026-6 offers exceptional performance for a machine in its class. Its digging depth of 2490 mm* and its digging forces (bucket) of 24.5 kN and digging forces (arm) of 14.7 kN allow it to work quickly and efficiently even under the most severe conditions.

STABILITY

The 1500 mm width of its undercarriage, the use of a large counterweight and excellent weight distribution offer same or even greater stability than that of conventional machines of the same weight class, as well as great lifting capacities.

*with long arm

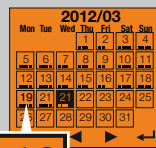
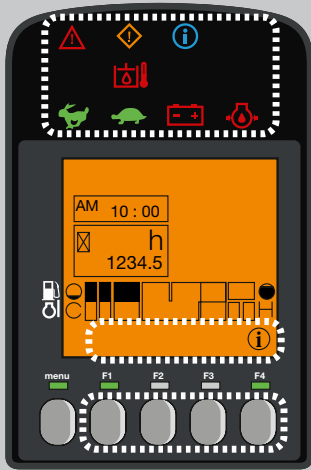


SAFETY

The cabin structure of the Vi026-6 has been designed to comply with the ROPS certification requirements (Roll Over Protective Structure) and with level 1 of the FOPS certification (Falling Object Protective Structure).



The Vi026-6 gets unique and complete protection of its boom and arm cylinders. All cylinder tubes and rods are protected by a highly elastic steel plate which significantly reduces the TCO of the machine.



DIGITAL INTERFACE

The Vi026-6 is equipped with a digital interface which informs the operator in real time about the status of his machine. Perfectly integrated into the right hand console, the 3.3 screen provides excellent visibility. The interface provides the customer with useful information through LED lamps, or indications about important parameters like fuel consumption, fuel gauge, coolant temperature gauge, etc. The interface assists the customer for maintenance intervals and to program such service intervals.

Finally, it also works as a diagnostic tool. In case of malfunction an error code and an information icon are displayed on the screen.

LED LIGHTING: EFFICIENCY AND LOW CONSUMPTION

To ensure safe, efficient and accurate operation in the dark, the Vi026-6 is equipped as standard with a LED lamp located on the inside of the boom. LED technology offers powerful lighting while reducing energy consumption, which extends battery life. It is possible to add two LED lamps to the front of the cabin as an option, as well as a rotating beacon and an additional rear LED light.



MAINTENANCE

EASE OF ACCESS

Daily maintenance should be easy to perform. The engine cover and the side cover have wide openings. This offers access to all main components: air filter, compressor, radiator, fuel filling pump, battery, fuel tank, oil tank, alternator of the hydraulic circuit, engine oil dipstick, water separator, coolant level, etc. A floor mat also helps in the cleaning process.



EQUIPMENT



[STANDARD EQUIPMENT]

PERFORMANCE

3TNV76-NBVA1 Yanmar diesel | Direct Injection | Hydraulic system: Load Sensing Flow Sharing | 3rd on/off hydraulic circuit line to arm end

COMFORT AND EASE OF USE

LCD interface | Suspension seat with adjustable levers | Armrests | Foot rests | Switch on blade lever for travelling speed change | Windshield with 2 fully retractable parts | Sliding double right side window | Transparent upper front part | Wiper | Windshield washer | Automatic ceiling lamp | 1 x 12V outlet

SAFETY AND DURABILITY

Handrails | Safety lever | Seat belt | Evacuation hammer | Anchor points | 3 mirrors | Blade cylinder supply hose into two parts | 1 LED light integrated into the boom | Battery switch by quick connector | Complete protection of the cylinders (boom, arm and blade) | Hoses protected by abrasion resistant sleeves | Lockable covers

MISCELLANEOUS

Fuel gauge | Toolbox | Toolkit | Grease pump

[OPTIONAL]

PERFORMANCE

Steel crawlers 250mm | Long arm (+250mm) | Additional counterweight (+100 kg) | Proportional 3rd circuit | Proportional 3rd circuit with potentiometer | Quick hitch line 160-200 bar | Clamshell bucket circuit | Auto idle | Push pull hydraulic quick connectors | Central greasing

COMFORT AND EASE OF USE

Suspension seat with PVC adjustment levers | Improved ergonomic suspension seat with adjustment levers, high backrest and retractable seat belt (PVC or fabric) | Seat cover | Radio (only cabin version) | Travel pedals

SECURITY AND DURABILITY

Safety valves for lifting + overload warning device | Anti-theft device (key/keyboard) | GPS Tracking | Travel alarm | 2 front LED working lights on the cabin | Battery cut-off | 1 rear LED work light + 1 LED flashing rotary fixed on cabin | Beacon light with magnetic base | Flashing rotary

MISCELLANEOUS

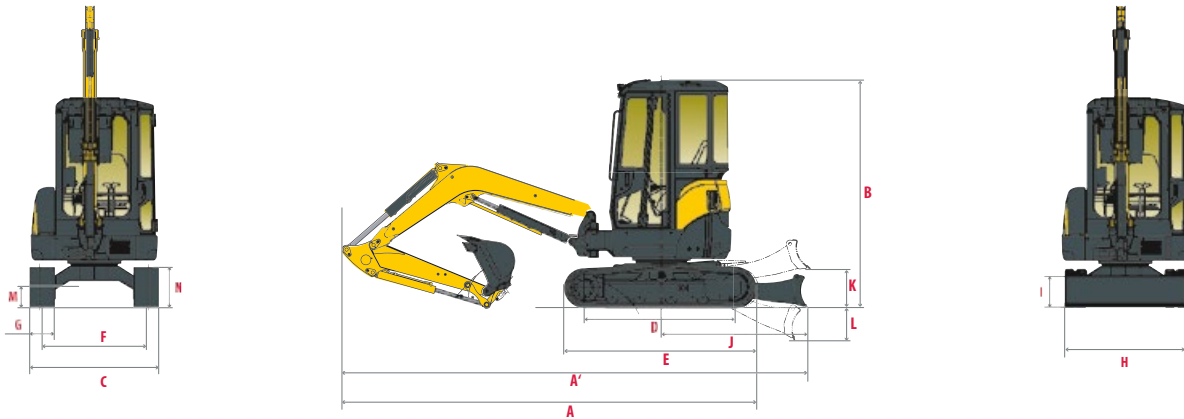
Biodegradable oil | Documentation box

[ATTACHMENTS]

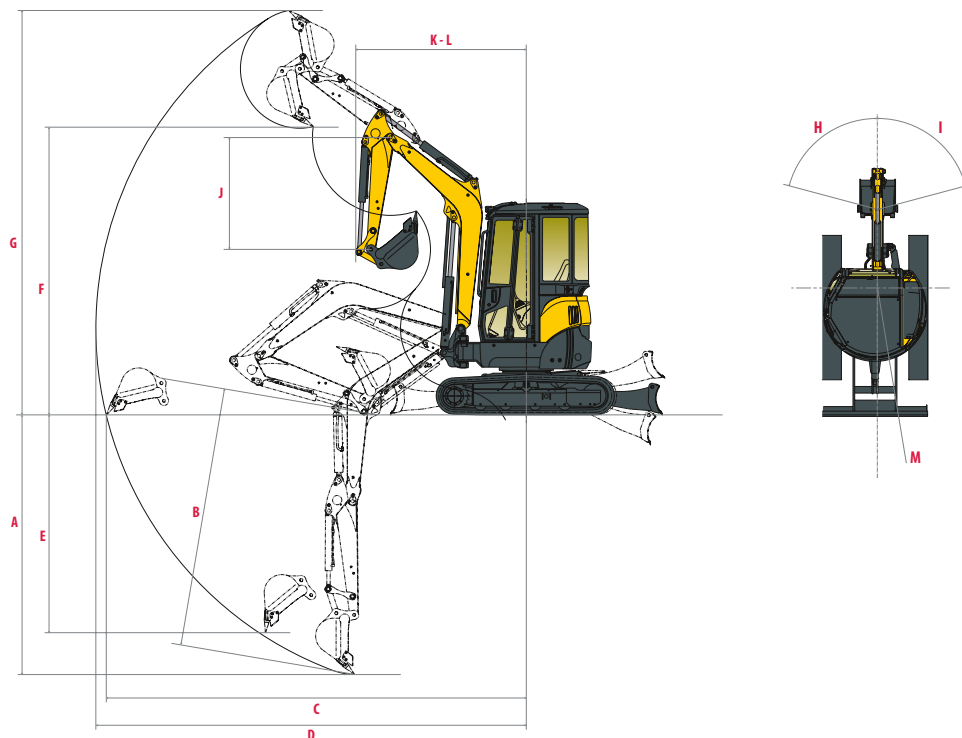
Yanmar gives you the attachment that fit your needs and match the safety standards in force in your country: mechanical quick coupler, hydraulic quick coupler, ditching bucket, tilt bucket, backhoe bucket, hydraulic breaker...



DIMENSIONS



A Overall length	4110/4120 * mm	H Overall blade width	1500 mm
A' Overall length with blade at the back	4490/4500 * mm	I Overall blade height	288 mm
B Overall height	2530 mm	J Blade distance	1390 mm
C Overall width	1500 mm	K Max. blade height above the ground	350 mm
D Length of track on ground	1587 mm	L Max. lowering blade depth	280 mm
E Undercarriage length	2040 mm	M Minimum ground clearance	320 mm
F Lane	1250 mm	N Ground clearance under counterweight	525 mm
G Track width	250 mm		



A Max. digging depth - Blade lifted	2490 / 2740 * mm	H Boom swinging base to left	47°
B Max. digging depth - Blade lowered	2690 / 2940 * mm	I Boom swinging base to right	74°
C Max. digging reach on ground	4340 / 4590 * mm	J Arm length	1150 / 1400 * mm
D Max. digging reach	4460 / 4700 * mm	K Minimum front swing radius	1950 / 1990 * mm
E Max. vertical wall	1150 / 1290 * mm	L Minimum front swing radius with boom swing	1650 / 1680 * mm
F Max. dumping height	2830 / 2990 * mm	M Rear swing radius	750 / 825 ** mm
G Max. cutting height	3990 / 4140 * mm		

* with long arm / ** with additional counterweight

TECHNICAL CHARACTERISTICS

[WEIGHT +/- 2% (EUROPEAN STANDARDS)]

	Transport weight *	Operating weight *	Ground pressure (kPa [Kg/cm ²])
Canopy version / Rubber crawlers	2485 kg	2560 kg	29.2
Canopy version / Steel crawlers	2595 kg	2670 kg	28.1
Cabin version / Rubber crawlers	2590 kg	2665 kg	31
Cabin version / Steel crawlers	2700 kg	2775 kg	29.9

* These values include a 64 kg European bucket

[ENGINE]

Type	3TNV76-NBVA1
Fuel	Diesel
Net power	15.2 kW / 20.7 HP at 2500 rpm (±3%)
Gross power	15.8 kW / 21.5 HP at 2500 rpm
Displacement	1 115 l
Maximum torque	63.4 -69 at 1800 rpm (±100)
Cooling	With water
Starter	12 V - 1.4 kW
Battery	12 V - 45 Ah
Alternator	12 V - 40 A

[HYDRAULIC SYSTEM]

Maximum pressure	206 bars
Variable flow pump	75 l.min ⁻¹

PTO	Theoretical data	
	Pressure (bars)	Flow (l.min ⁻¹)
1 Lane	0 - 215	67 - 15



Oil flow decreases as the pressure increases

[PERFORMANCE]

Travel speed	2.8 / 4.5 Km.h ⁻¹
Rotation speed	10 rpm ⁻¹
Digging force (arm)	14.5 kN / 12.7 kN (with long arm)
Digging force (bucket)	24.5 kN
Traction force	22.2 kN
Grade ability	25°
Noise level (2000/14/CE&2005/88/CE)	LWAG : 93 dBA ; LPAG : 81 dBA

[UNDERCARRIAGE]

Number of top rollers	1
Number of bottom rollers	3
Track tensioning system	Using grease pump

[CAPACITIES]

Fuel tank	30,4 l
Coolant: with secondary tank capacity (0.4)	3,8 l
Engine oil	3,4 l
Hydraulic circuit	14 l
Hydraulic tank	25 l

MAINTENANCE FREQUENCY

[Change engine oil and filter: 50 hours (1st) / 500 hours (2nd)] [Change fuel filter: 250 hours] [Change hydraulic oil: 1000 hours]
 [Change hydraulic oil filter: 50 hours (1st) / 500 hours (2nd)] [Change cooling fluid: 2000 hours]



YANMAR



Yanmar Construction Equipment Europe
25, rue de la Tambourine, 52100 SAINT-DIZIER
France

ycee-contact@yanmar.com

www.yanmarconstruction.eu

Non contractual pictures - Printed in France - The manufacturer reserves the right to modify the information in this catalogue without notice. For further information, please contact your authorized Yanmar Construction Equipment dealer.

GB_Vi026-6_0617