

GENERGY

GZE-3320



2014/30/EU (EN55032:2015/A11:2020-EN55035:2017/A11:2020-EN IEC 61000-3-2:2019-EN61000-3-3:2013+A1:2019)
EMC 2014/35/EU (EN62368-1:2014+A11:2017) LVD 2011/65/EU RoHS UN38.3

FICHA TÉCNICA - TECHNICAL DATA SHEET





| | MODELO | GZE-3320 |
|-----------------|---|--|
| | Capacidad / Capacity | 3248Wh |
| | Tipo de batería / Battery Type | LiFePO4 |
| | Ciclo de vida de batería / Battery Lifecycle | 3500 ciclos > 70% - 2000 ciclos > 80% |
| SALIDAS/OUTPUT | Salida 230V / 230V output | 2000W |
| | Pico 230V / 230V output | 3000W |
| | Salida energía / Power Output | Pure sine wave |
| | SCHUKO 230V | 5 |
| | USB-C 100W | 2 |
| | USB-C 30W | 0 |
| | USB-QC 3.0 18W | 4 |
| | Puerto coche / Car ports | 13.6V/8A |
| | Salida CC / DC output | 2x13.6V/8A (DC5521) |
| | Puertos totales / Total No Ports | 14 |
| ENTRADAS/ INPUT | Entrada 230V / 230V Input | 1500W |
| | Tiempo de carga completa / Full charging time | 3h |
| | Entrada CC / DC Input | 420W (DC5521) |
| | Entrada panel solar / Input solar panel | XT60-12/60V 10A |
| | Control panel solar / Panel solar controller | MPPT |
| | Panel solar compatible / Recommended solar panel | 3SET: GZE200W |
| | Tiempo de carga desde panel / Panel solar charging time | 8-13h (3SET: GZE200W) |
| | Carga-salida simultánea / Simultaneous Charging-Output | OK |
| | Medidas / Size | 410x310x410/485mm |
| | Peso / Weight | 42kg |
| | Accesorios / Accessories | Cables carga – Manual / Charging line - Manual |
| | Referencia / Reference | 31525 |

DESTACADO / HIGHLIGHT

Carga ultrarrápida en 180 minutos.

Batería **LifePO4** de última generación: 3500 ciclos > 70% - 2000 ciclos > 80%.

BMS: Sistema inteligente para la gestión de la batería.

MPPT: Seguidor de punto de máxima potencia, mayor rendimiento de carga desde paneles solares.

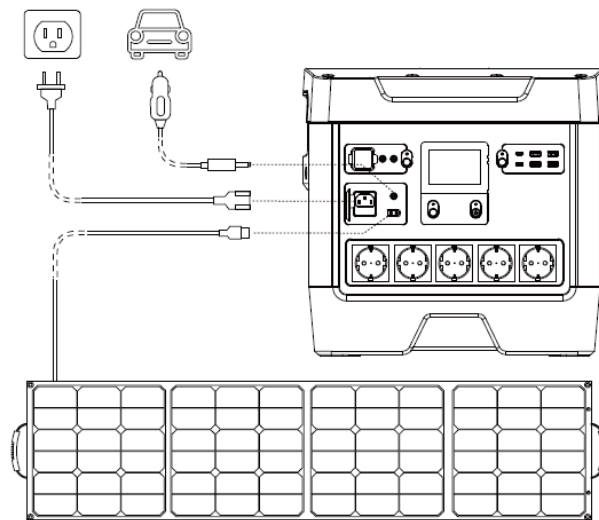
Ultra-fast charging in 180 minutes.

Latest generation **LifePO4** battery: 3500 cycles > 70% - 2000 cycles > 80%.

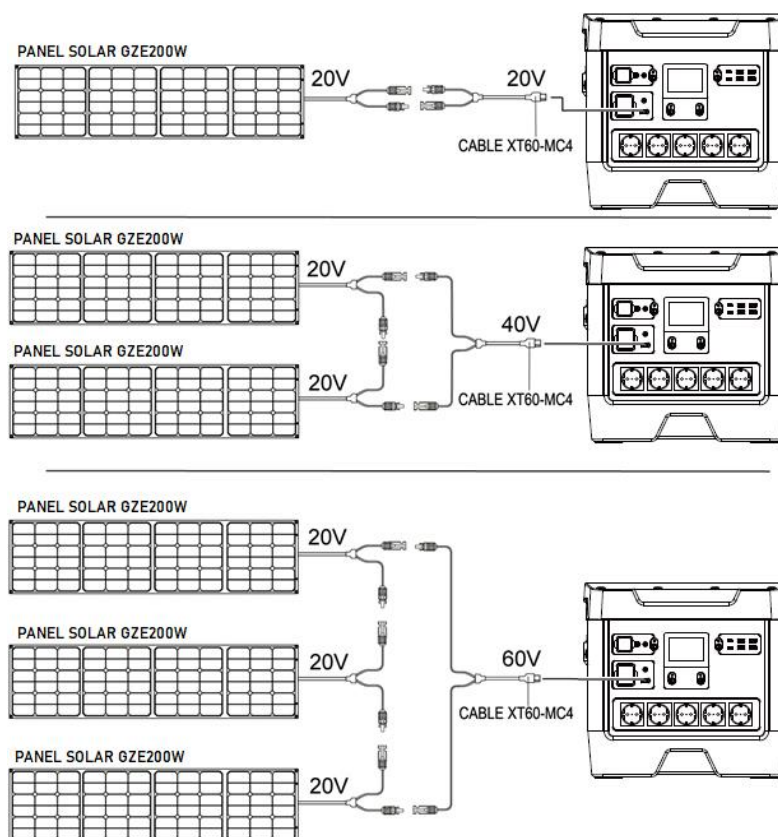
BMS: Intelligent system for battery management.

MPPT: Maximum Power Point Tracker, higher charging performance from solar panels.

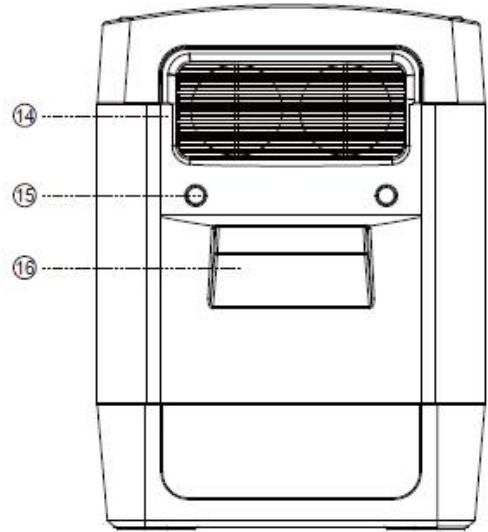
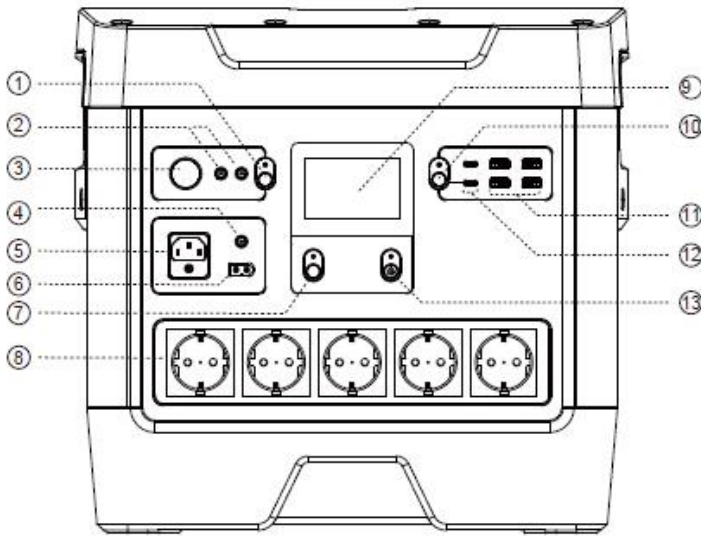
FORMAS DE CARGA / CHARGING METHODS



CONEXIÓN PANEL SOLAR (3 OPCIONES) / SOLAR PANEL CONNECTION (3 OPTIONS)



COMPONENTES / COMPONENTS



ESPAÑOL

1- Botón CC (DC) ON/OFF

2- Puerto de salida CC (DC)

3- Toma de mechero

4- Puerto de entrada CC (DC)

5- Puerto de entrada CA (AC)

6- Puerto de entrada panel solar

7- Botón CA (AC) ON/OFF

8- Puertos de salida CA (AC)

9- Pantalla LCD

10- Botón USB ON/OFF

11- Puertos de salida QC3.0 USB-A

12- Puertos de salida PD100W USB-C

13- Botón encendido general ON/OFF

14- Ventiladores de refrigeración

15- Orificios para fijar cáncamos*

16- Asa

INGLÉS

1- DC ON/OFF Switch

2- DC Output port

3- Car cigarette lighter socket

4- DC Input port

5- AC Input port

6- Solar panel input port

7- AC ON/OFF Switch

8- AC Output ports

9- LCD Display

10- USB ON/OFF Switch

11- QC3.0 USB-A Output Ports

12- PD100W USB-C Output Ports

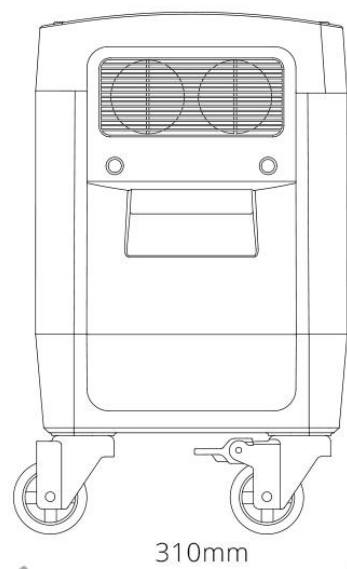
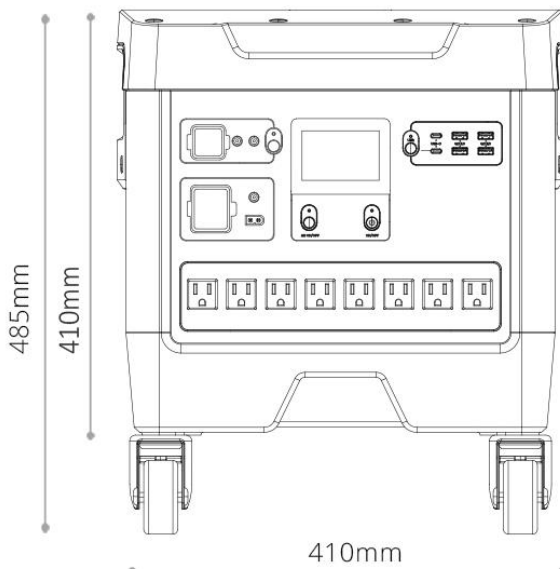
13- Main power button ON/OFF

14- Fan

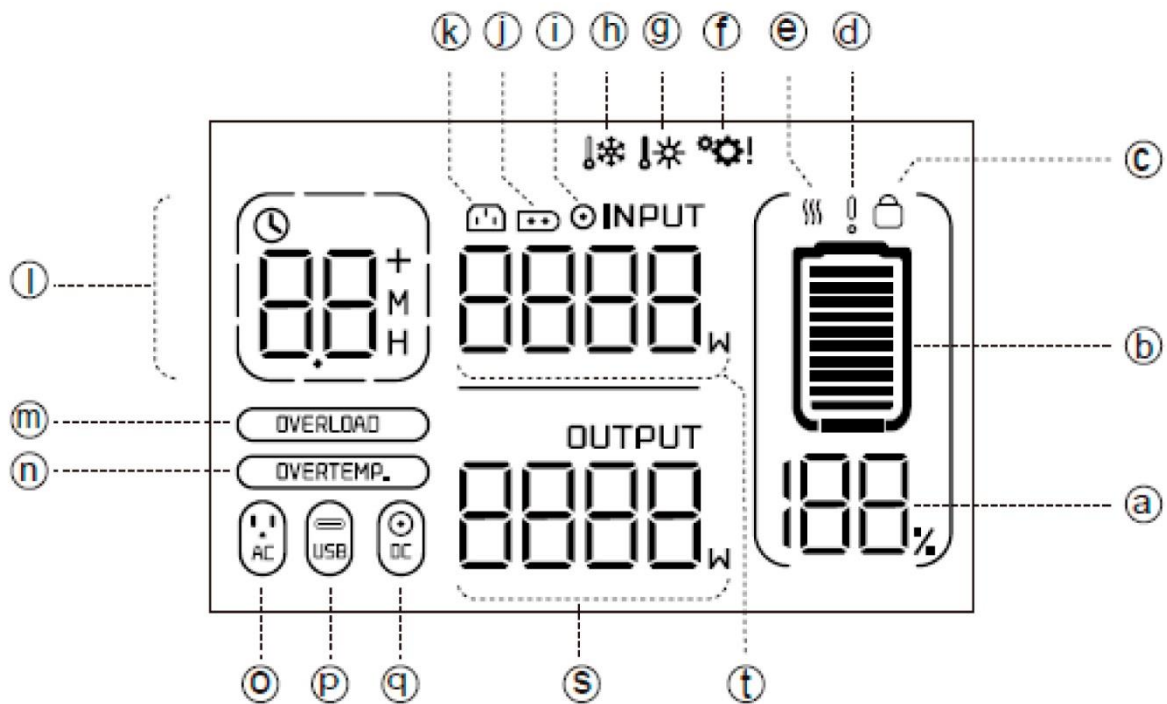
15- Holes for fixing eyebolts*

16- Handle

DIMENSIONES / SIZE



PANEL CONTROL / CONTROL PANEL



| | | | | | | |
|--------------------------------|----------|--|---|----------|----------|---|
| Battery information indication | a | | Battery power level % | d | | Battery failure warning |
| | b | | Battery power level | e | | Battery high/low temperature indication |
| | c | | Battery protection | | | |
| Input indication | k | | AC Input | i | | DC Input |
| | j | | Solar panel input | t | | Input power indication |
| Output indication | o | | AC Output | q | | DC Car output |
| | p | | USB-A/USB-C Output | s | | Output power indication |
| Remaining time indication | l | | Remaining discharge /full charge time indicator | r | M | Minutes |
| | | | | r | H | Hours |
| Protection indication | f | | System failure indication | m | | Overload protection indication |
| | g | | Over temperature indication | n | | Over temperature protection indication |
| | h | | Low temperature indication | | | |